



# Swimcare



Where Quality Flows.



## About US

At SwimCare, we don't just sell pool accessories; we deliver peace of mind. Every component, from our robust brass anchors to our high-tension stainless steel springs, is manufactured in-house at SATYAM TECHWORKS PVT LTD.

This allows us to maintain uncompromising control over quality, using only the finest materials and precision engineering to create products that meet and exceed the highest safety standards. Your family's safety is our top priority, and our commitment to excellence is in every product we make.

## Our Vision

To be the global leader in pool safety, ensuring every pool and spa in the world is equipped with the most reliable and innovative safety solutions. We strive to create a world where swimming is a worry-free activity for every family.

## Our Mission

To design, manufacture, and deliver the highest quality pool safety products that exceed industry standards. Through continuous innovation, exceptional customer service, and a commitment to excellence, we provide peace of mind to pool owners worldwide.





## **BPAFD916**

### **Brass Concrete/ Pool Cover Anchor With Disk**

Pool cover anchors are used to fasten the straps of winter pool covers to the ground or deck. The anchors are typically brass. They screw down flush to the ground for the the pool season and screw out to provide anchor points for springs attached to the cover straps.

### **Technical Specifications**

Anchor Body: 0.815" Knurl Head Diameter, 0.750" Body Diameter, 1.630" Total Length, 9/16" X 12 Thread

## **BPA916**

### **Brass Concrete/ Pool Cover Anchor**

Pool cover anchors are used to fasten the straps of winter pool covers to the ground or deck. The anchors are typically brass. They screw down flush to the ground for the the pool season and screw out to provide anchor points for springs attached to the cover straps.

### **Technical Specifications**

Anchor Body: 0.815" Knurl Head Diameter, 0.750" Body Diameter, 1.630" Total Length, 9/16" X 12 Thread



## **BWA916**

### **Wood Deck Anchor with Wood Screw and Without Disk**

Wood Deck anchors are used to fasten the straps of winter pool covers where the deck is of wooden instead concrete. The anchors are typically brass. They screw down flush to the ground for the the pool season and screw out to provide anchor points for springs attached to the cover straps.

### **Technical Specifications**

Anchor Body: O.D. 1.50", Head Thickness: 0.121", Total Length: 0.980", Body Diameter: 0.740", Body length: 0.859", Thread: 9/16" X 12





Pack QTY.: 10

Pack QTY.: 25

## **BWAFD916**

### **Wood Deck Anchor with Disk and Wood Screw**

Wood Deck anchors are used to fasten the straps of winter pool covers where the deck is of wooden instead concrete. The anchors are typically brass. They screw down flush to the ground for the the pool season and screw out to provide anchor points for springs attached to the cover straps.

### **Technical Specifications**

Anchor Body: O.D. 1.50", Head Thickness: 0.121", Total Length: 0.980", Body Diameter: 0.740", Body length: 0.859", Thread: 9/16" X 12

## **BKHA1.50**

### **Brass Key Driven Anchor**

They are used with Stainless Steel Hooks in order to secure the pool cover. They are made from high quality Brass and have a key shaped hole to accommodate the SS Hook. They are available with or without knurling.

### **Technical Specifications**

1.50" Total Length, 0.820" Head Round Diameter, 0.748" Body Diameter, 0.300" Key Big Hole Diameter, 0.188" Key Small Hole Diameter, 0.550" Key Length, 1.330" Internal Hole Length, 0.562" Internal Hole Diameter, Straight Knurling in 20 Grooves per inch



Pack QTY.: 10



Pack QTY.: 10

## **BPUA1.59**

### **Brass Pop Up Anchor**

Pop Up Anchors are used to fasten the straps of winter pool covers to the ground or deck. The anchors are typically brass. This is the spring-loaded pool cover anchor that requires only one twist up and one twist down. Pop-up anchors are an alternative choice to standard screw type anchors. The largest advantage of this Pop-Up Anchor has over all other anchors is the amount of total time it saves

### **Technical Specifications**

1.590" Total Length, 1.470" Internal Length of Body for Spring and Anchor Bolt, 0.720" Hex Body Diameter, 0.800" Corner to Corner Body Diameter, 1.275" Anchor Bolt total length, 0.630" Anchor Bolt Diameter, 0.056" Screw Driver Slot, 0.165" Locking Slot, 0.398" Spring Hole Diameter in Anchor Bolt, 0.470" Spring Hole Length in Anchor Bolt



## **BFD38**

### **Brass Flange Disk/ Collar for Anchors**

Brass collars can be used with brass anchors to create a more complete and finished look around the pool deck. It cover the deck hole and make the look beautiful.

### **Technical Specifications**

O.D. 1.50", Thickness: 0.160", I.D. 0.530"

## **BPAS916**

### **Brass Anchor Bolt/ Anchor Screw**

It helps attach pool cover through spring during season by screwing it up and down, it's use with standard pool cover and wood deck anchor

### **Technical Specifications**

Anchor Screw: Head: 0.610", Thread 9/16" X 12, Total Length 1.113"



## **BLA1.9**

### **Brass Ladder Anchor/ Brass Rail Anchor**

swimming pool ladders and similar devices are supported by anchors that are embedded in the cement or concrete that surrounds the swimming pool. These anchors are generally made of metal and have open tops which allow the tubular base of a ladder to be inserted therein. A set screw, wedge or the like maintains the ladder base in the anchor. The rail anchor is designed to have a perfect fit. It measures 4" high and fits with a 1.90" diameter rail. Design features include ribbed edges, to hold the anchor securely into the concrete. Additionally, it features drain holes at the bottom which allows for the removal of water if it were to get in.

### **Technical Specifications**

Total Length : 4.00", ID for Rail : 1.96", Body O.D.: 2.11", Total O.D.: 3.26"





## LAESC1.9

### Brass Ladder Anchor with Escutcheon

Swimming pool ladders and similar devices are supported by anchors that are embedded in the cement or concrete that surrounds the swimming pool. These anchors are generally made of metal and have open tops which allow the tubular base of a ladder to be inserted therein. Design features include ribbed edges, to hold the anchor securely into the concrete. Additionally, it features drain holes at the bottom which allows for the removal of water if it were to get in.

Escutcheon plate adds the finishing touch to anchor sockets and is usable on any 1.90 in. Dia deck equipment. Protects ladder mounting hardware and covers gaps between the concrete and the hardware.

### Technical Specifications

Total Length : 4.00", Rail Inner Diameter (ID) : 1.90", Body Outer Diameter (O.D.) : 2.11", Outer Diameter (O.D.) : 4.00", Main Inner Diameter (ID) : 3.88", Rail Inner Diameter (ID) : 1.90".

## WED1.9

### Brass Wedge Assembly

This assembly provides improved safety by securing the pool rail and preventing it from becoming loose. It can be easily installed using basic tools, such as a socket wrench, and can be completed within minutes. It is made of high-quality stainless steel and brass materials that are resistant to rust and corrosion providing long-lasting durability.

Content-Includes 2 Wedge Assembly (2 Wedge Pieces, 2 Bolts, 2 Washers)

### Technical Specifications

The bolt measures 2.1" in length and comes with a washer. The bronze wedge piece measures 0.9" in width and length.



## BLA1.9 - 6

### Brass Ladder Anchor/ Brass Rail Anchor

swimming pool ladders and similar devices are supported by anchors that are embedded in the cement or concrete that surrounds the swimming pool. These anchors are generally made of metal and have open tops which allow the tubular base of a ladder to be inserted therein. A set screw, wedge or the like maintains the ladder base in the anchor. The rail anchor is designed to have a perfect fit. It measures 6" high and fits with a 1.90" diameter rail. Design features include ribbed edges, to hold the anchor securely into the concrete. Additionally, it features drain holes at the bottom which allows for the removal of water if it were to get in.

### Technical Specifications

Total Length : 6.00", ID for Rail : 1.96", Body O.D.: 2.11", Total O.D.: 3.26"



## **ESC1.9** **Escutcheon**

Escutcheon plate adds the finishing touch to anchor sockets and is usable on any 1.90 in. Dia deck equipment. Protects ladder mounting hardware and covers gaps between the concrete and the hardware.

### **Technical Specifications**

O.D. 4", Main ID: 3.88", Rail ID: 1.91", Thickness: 0.630"

## **IR30/24**

### **Installation Rod 24" / 30"**

It helps attach pool cover through spring during season by screwing it up and down, it's use with standard pool cover and wood deck anchor

### **Technical Specifications**

1" - 25.40mm Rod Diameter, 24" / 30" Total length including gripper/ handle, 20" length without gripper/ handle, 0.830" - 21mm Internal Diameter (I.D.) of the Rod, 0.500" Slot Diameter, 0.300" - Slot Depth, 1.260" - 32mm Gripper/ Handle Diameter



## **ALW10**

### **Allen Hex Wrench with Plastic Handle**

The Allen Wrench/Hex Key is used to open and close the anchors for safety covers so that straps can be attached

### **Technical Specifications**

Total Length 10" X 1/4" Hex Size X 3.82" Handle width, Handle Thickness 0.520"





## LK15

### Allen L Key (Allen Wrench)

Allen wrench used for safety cover anchors to raise and lower the anchors according to season

### Technical Specifications

Total Length 15", Bend side length 3", 1/4" Hex Size

## SWS7.5

### Spring with Sleeve

Use to cover swimming pool, tie it with pool cover with spring and then spring attach with the anchor

### Technical Specifications

Spring: Basic length 7.5", Stretched length 8", Gauge 8"  
Sleeve: 34mm X 37mm X 145mm



Pack QTY.: 05

## STB1.9

### Strap Buckle

Stainless Steel Buckles are help tighten & secure in-ground safety pool cover straps. These buckles allow for strap adjustments as well as attaching the springs to pool straps.

### Technical Specifications

Length: 1.90" X Width: 1.25"



Pack QTY.: 05

Pack QTY.: 10



## **SPA916**

### **S.S. Concrete/ Pool Cover Anchor**

Pool cover anchors are used to fasten the straps of winter pool covers to the ground or deck. The anchors are typically S.S. . They screw down flush to the ground for the the pool season and screw out to provide anchor points for springs attached to the cover straps.

### **Technical Specifications**

Length: 1-5/8", Anchor Body: Fits 3/4" Hole, Thread: 9/16" X 12 & 10/16" X 12, Head: Diameter: 13/16" or 21mm, Straight Knurled.

## **SFD38**

### **S.S. Flange Disk/ Collar for Anchors**

We provide it in set along with the Concrete Anchors & Wood Deck Anchors and Separate in multiple qty. packing also as per the need of our customer.

### **Technical Specifications**

Outer Diameter (O.D.) : 1.50", Thickness: 0.160", Inner Diameter (I.D.): 0.530"



## **DSWS8.5**

### **Double Spring with Sleeve**

Use to cover swimming pool, tie it with pool cover with spring and then spring attach with the anchor

### **Technical Specifications**

Spring : Basic Length 8", Stretched Length 8.5", Gauge 5"  
Sleeve : 34mm X 37mm X 145mm



## SHWS6.5

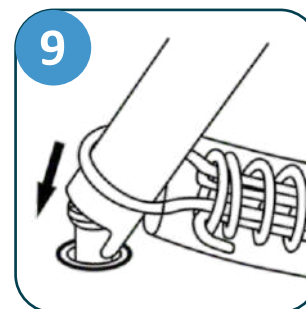
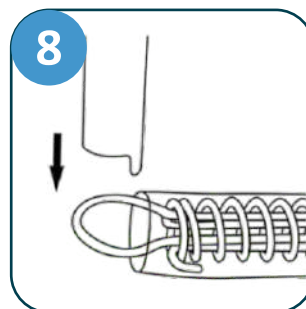
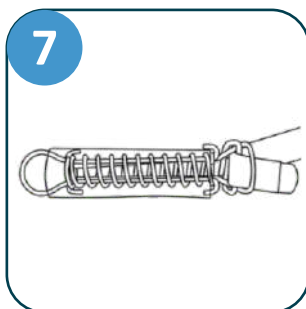
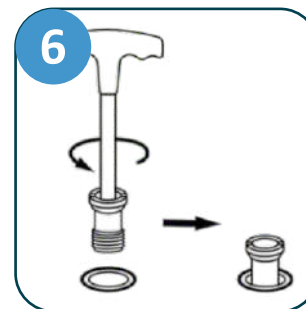
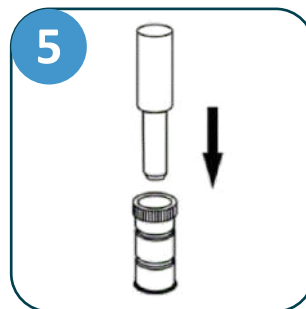
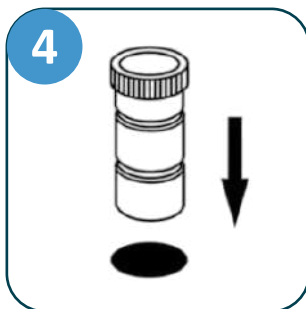
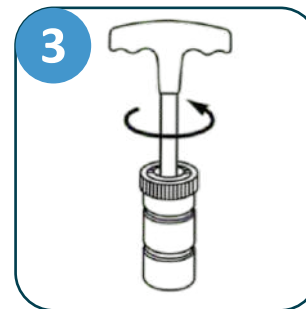
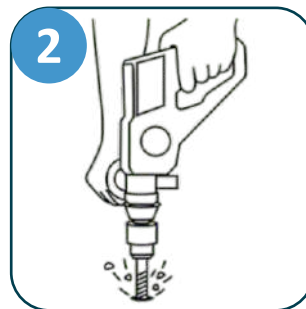
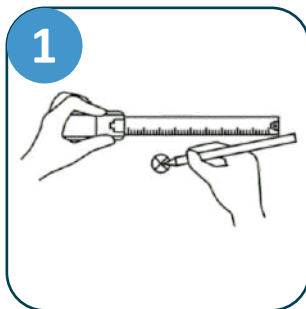
### Short Spring with Sleeve

Use to cover swimming pool, tie it with pool cover with spring and then spring attach with the anchor

### Technical Specifications

Spring: Basic Length 6", Stretched Length 6.5", Gauge 6"  
Sleeve: 34mm X 37mm X 76mm

## INSTALLATION STEPS





## LK15 D Ring Buckle

Stainless Steel D-rings are used on the end of the spring to help secure pool cover. It is important to have high quality rings that can secure the pool cover in the correct place.

### Technical Specifications

0.200" Rod Size, End to End 1.710", Round to End 1.40"

## BPUA1.59 Aluminium Lawn Tube 10"/15"/18"

These aluminum lawn tube with anchors help secure safety pool covers in areas where no concrete, brick, or other hard surface pool deck is available.

### Technical Specifications

- Total length 10", Diameter 1"
- Total length 15", Diameter 1"
- Total length 18", Diameter 1"



## TT3.22 Tamping Tool

The Tamping Tool for screw-type safety cover anchors is used by inserting the tamping tool into the anchor shell and tamping it into the deck with a mallet or hammer. A light Teflon or silicone spray on the tamping tool prior to tamping will facilitate its easy removal.

### Technical Specifications

Total length 3.22", Big Diameter 0.630", Small Diameter 0.437"



Mfg. of :-

**SATYAM**  
TECHWORKS PVT. LTD.

- +91 87338 17640
- support@swimcares.com
- www.satyamtechworks.com
- www.swimcares.com
- R.S. No. 51, Plot No. 32, Godown Zone, Lalpur Road,  
Near CNG Pump, Jamnagar - 361012, Gujarat(India).

